

DESCRIPTION	REVISIONS	DATE
MODIFIED GENERAL NOTE 4.		7/08/2011
REISSUED		4/10/2012

WINDLOAD COORDINATES FOR SQUARE POST AT 90 MPH

SIGN CENTROID	ALLOWABLE SIGN AREA (FT <sup>2</sup> ) PER SINGLE POST *							
	FHWA APPROVED FOR: 2 POST PER SIGN				FHWA APPROVED FOR: 1 POST PER SIGN			
	1 1/2"x12ga perf.	1 3/4"x14ga perf.	1 3/4"x12ga perf.	2"x14ga perf.	2"x12ga perf.	2 1/4"x14ga perf.	2 1/4"x12ga perf.	2 1/2"x12ga perf.
16.5'	3.46	3.90	4.85	5.19	6.48	6.67	8.34	10.44
16'	3.57	4.02	5.00	5.36	6.68	6.88	8.60	10.76
15.5'	3.68	4.15	5.17	5.53	6.90	7.11	8.88	11.11
15'	3.81	4.29	5.34	5.71	7.13	7.34	9.17	11.48
14.5'	3.94	4.44	5.52	5.91	7.37	7.60	9.49	11.87
14'	4.08	4.59	5.72	6.12	7.64	7.87	9.83	12.30
13.5'	4.23	4.76	5.93	6.35	7.92	8.16	10.19	12.75
13'	4.39	4.95	6.16	6.59	8.22	8.47	10.59	13.24
12.5'	4.57	5.15	6.41	6.86	8.55	8.81	11.01	13.77
12'	4.76	5.36	6.67	7.14	8.91	9.18	11.47	14.35
11.5'	4.96	5.59	6.96	7.45	9.30	9.58	11.97	14.97
11'	5.19	5.85	7.28	7.79	9.72	10.01	12.51	15.65
10.5'	5.44	6.13	7.63	8.16	10.18	10.49	13.11	16.40
10'	5.71	6.43	8.01	8.57	10.69	11.01	13.76	17.22
9.5'	6.01	6.77	8.43	9.02	11.25	11.59	14.49	18.12
9'	6.34	7.15	8.90	9.52	11.88	12.24	15.29	19.13
8.5'	6.72	7.57	9.42	10.08	12.58	12.96	16.19	20.26
8'	7.14	8.04	10.01	10.71	13.36	13.77	17.20	21.52

\* USE A MULTIPLIER OF 2 OR 3 FOR 2 & 3 POST INSTALLATIONS.

GENERAL NOTES

- POST TUBE SHALL MEET ASTM A1011 GRADE 50. POST TUBE GALVANIZED AS PER ASTM A653 GRADE 90.
- HEAVY DUTY ANCHOR TUBE SHALL MEET ASTM A500 GRADE B STRUCTURAL TUBE AND STEEL SHALL BE HOT DIP GALVANIZED PER ASTM A123.
- THE UPPER SIGN POST SHALL TELESCOPE INSIDE THE ANCHOR TUBE A MINIMUM OF 12". ANCHOR TUBE SHALL BE MINIMUM OF 30" WITH 3" MAXIMUM AS SHOWN IN DETAILS.
- THE CONCRETE FOOTING SHALL BE CLASS "C" CONCRETE OR AS DIRECTED BY THE ENGINEER. CONCRETE INCLUDED IN THE COST OF SQUARE TUBE POST.
- THE NON-REINFORCED CIRCULAR CONCRETE FOOTING, ANCHOR TUBE AND HARDWARE SHALL BE INCLUDED IN THE UNIT PRICE BID FOR THE SQUARE TUBE POST.
- SEE STANDARD DRAWINGS SSA1-1, MSD5-1, MSD6-1, SBS1-1, SBS2-1, AND SBS3-1 (LATEST REVISION) FOR PROPER BRACKET PLACEMENT ON THE SIGN AND POST SPACING FOR TWO POST INSTALLATION.
- FOR VERTICAL AND LATERAL CLEARANCE, SEE STANDARD DRAWING GMS1-1, AND GMS2-1-(LATEST REVISION).
- SIGNS SHALL BE ATTACHED TO THE POSTS WITH BOLTS AS SHOWN ON STANDARD DRAWING SSA1-1-(LATEST REVISION).

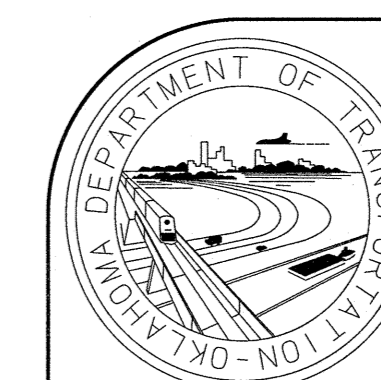
BASIS OF PAYMENT

ITEM NO.	ITEM	UNIT
851(C)	SQUARE TUBE POST	LF

APPROVED BY TRAFFIC ENGINEER: *Cheryl Gray* DATE: 4/17/12

TRAFFIC STANDARD

SQUARE TUBE POST DETAILS



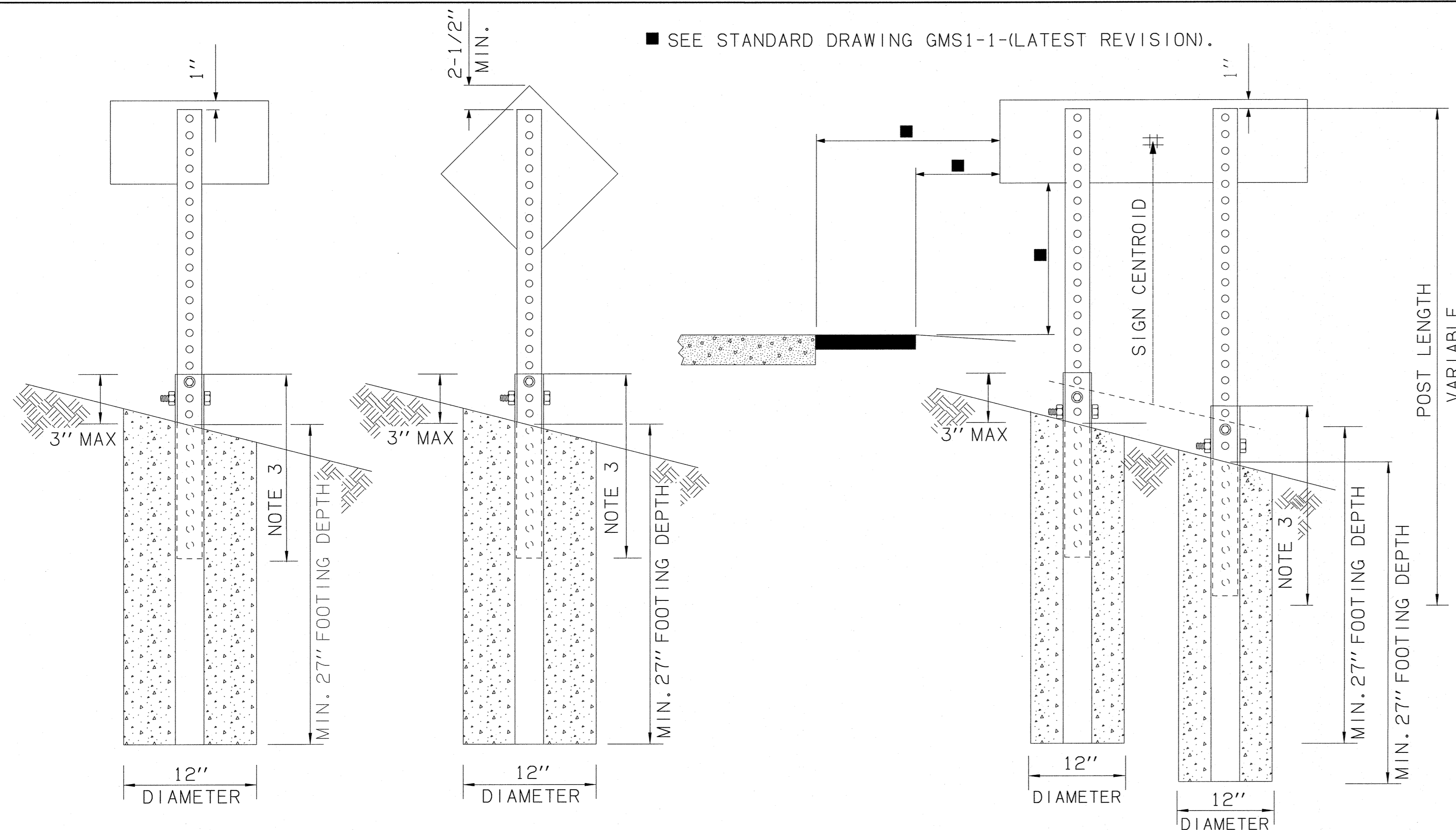
2009 SPECIFICATIONS

SSP1-1

02

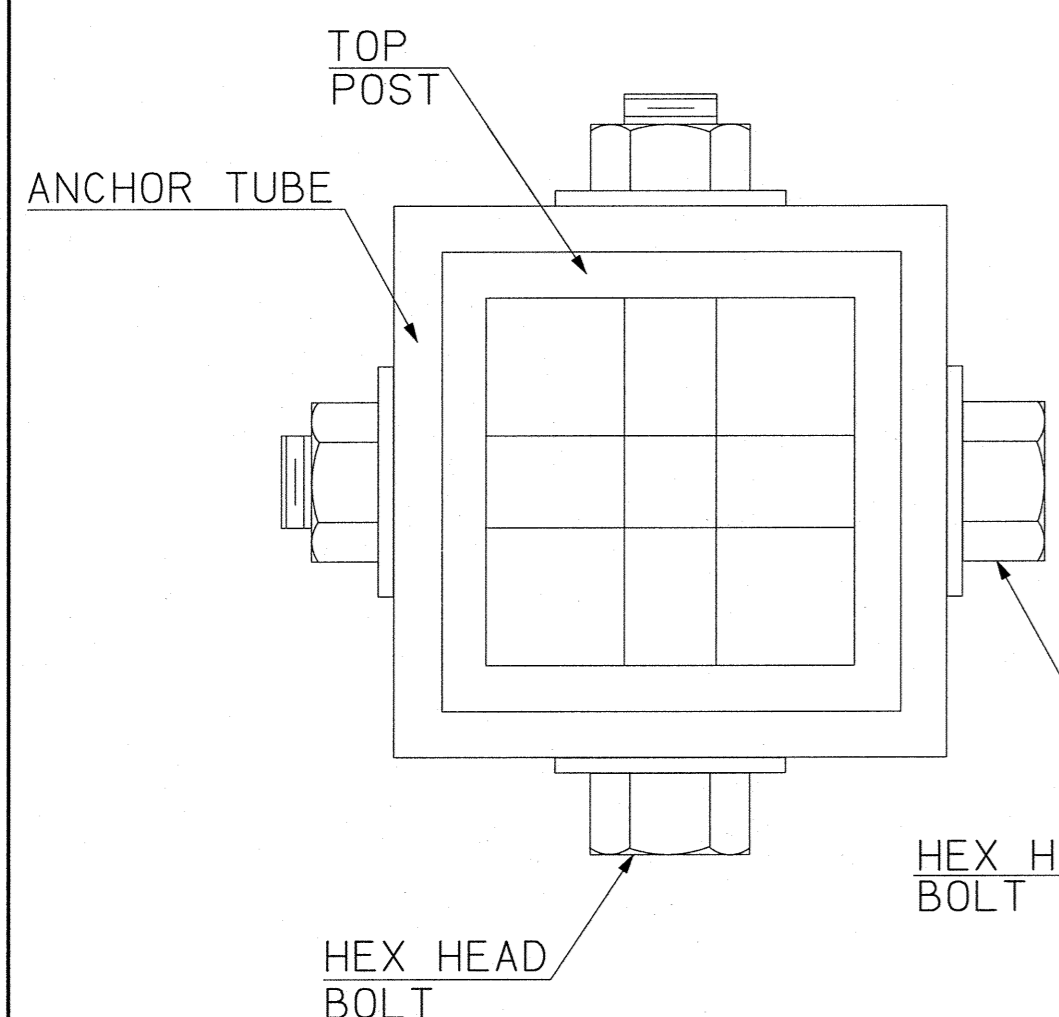
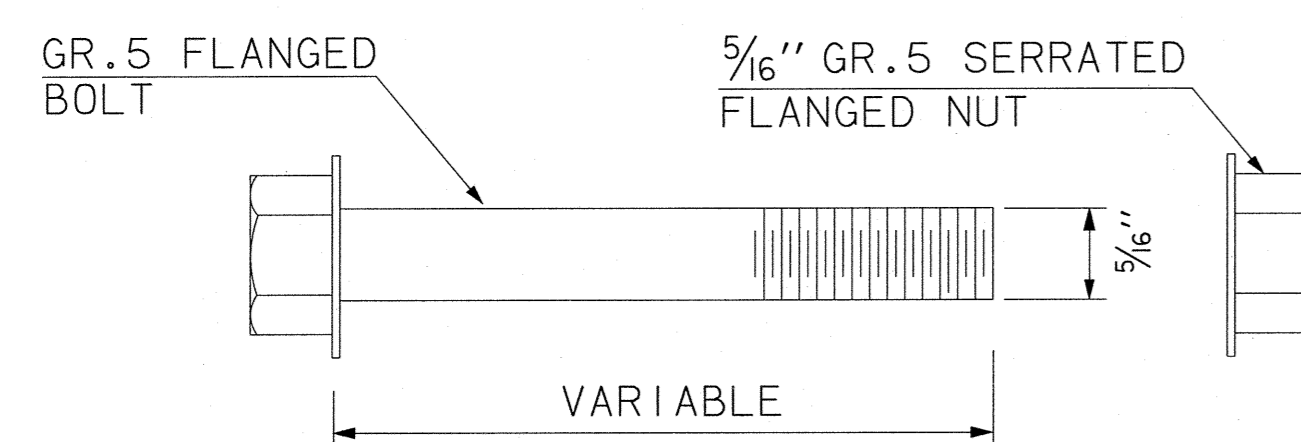
T-138

SEE STANDARD DRAWING GMS1-1-(LATEST REVISION).

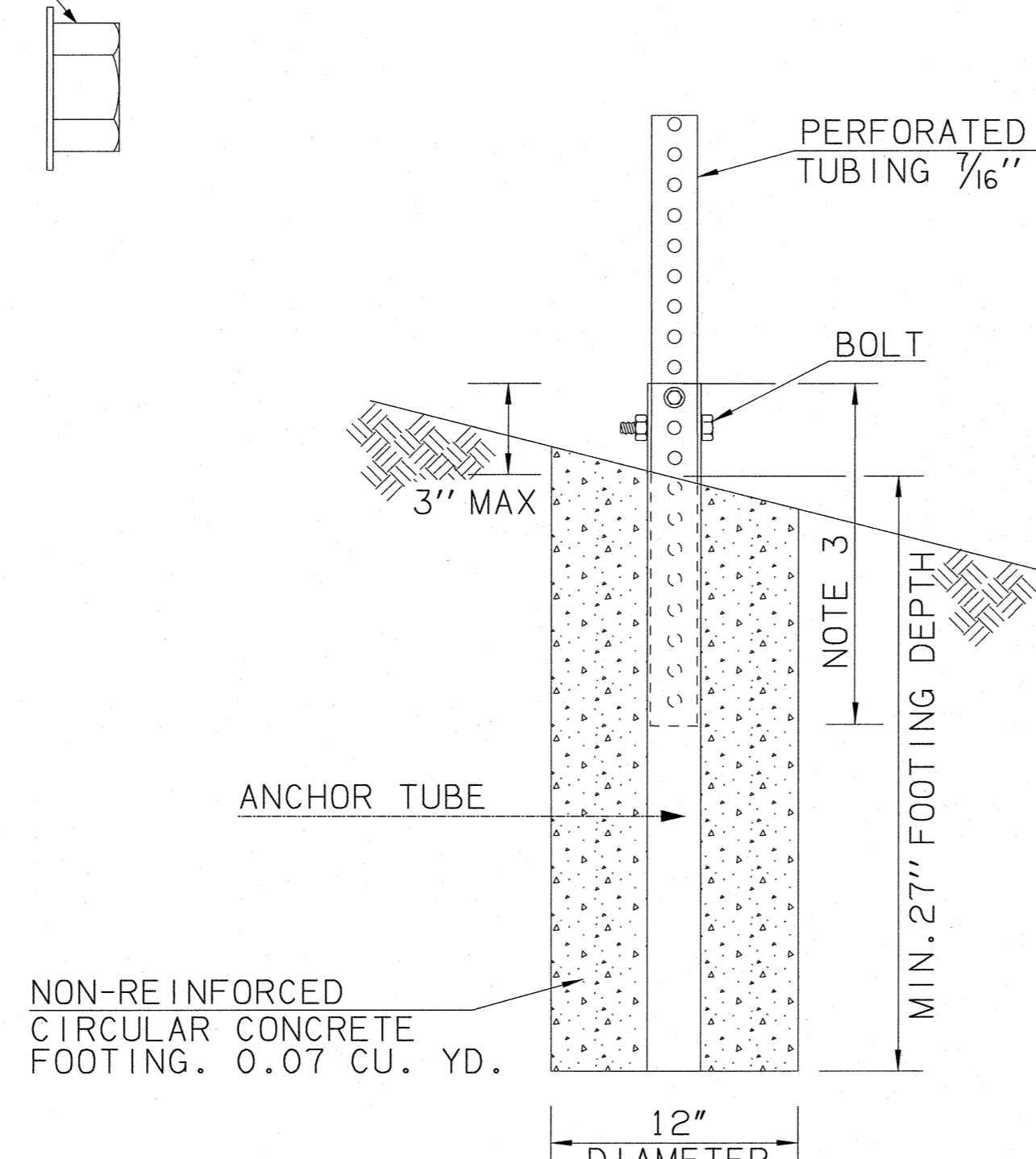


TYPICAL SINGLE POST INSTALLATION

TYPICAL DOUBLE POST INSTALLATION



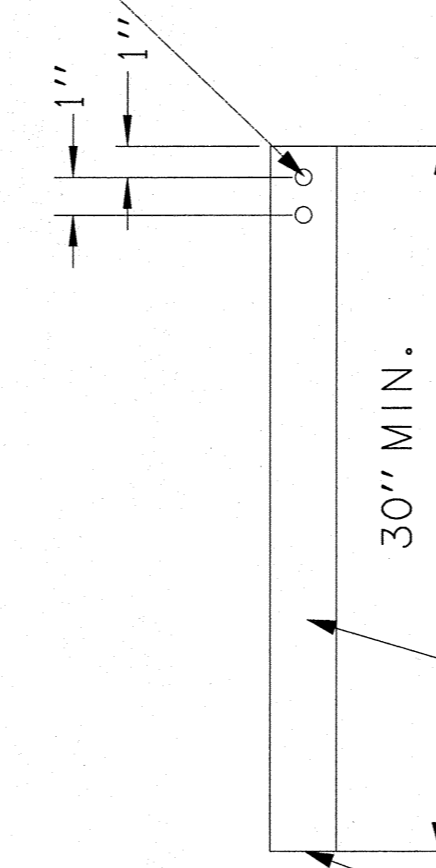
BOLT DESIGN



ANCHOR TUBE DETAILS WITH CONCRETE FOOTING

NON-PERFORATED ANCHOR TUBE SHALL HAVE TWO (2) 7/16" DIAMETER HOLES SPACED 1" ON CENTER ALONG THE CENTERLINE OF EACH OF THE FOUR SIDES.

PERFORATED TUBING 1/16", HOLE 1" C/C



NON-PERFORATED HEAVY DUTY ANCHOR TUBE  
2 1/2" X 2 1/2" X 3/16" ANCHOR FOR 1 3/4" & 2" UPRIGHT POST.  
3" X 3" X 3/16" ANCHOR FOR 2 1/4" & 2 1/2" UPRIGHT POST.

APPLY DUCT TAPE TO PREVENT CONCRETE ENTERING ANCHOR TUBE.

HEAVY DUTY ANCHOR TUBE

- DRAWING NOT TO SCALE -